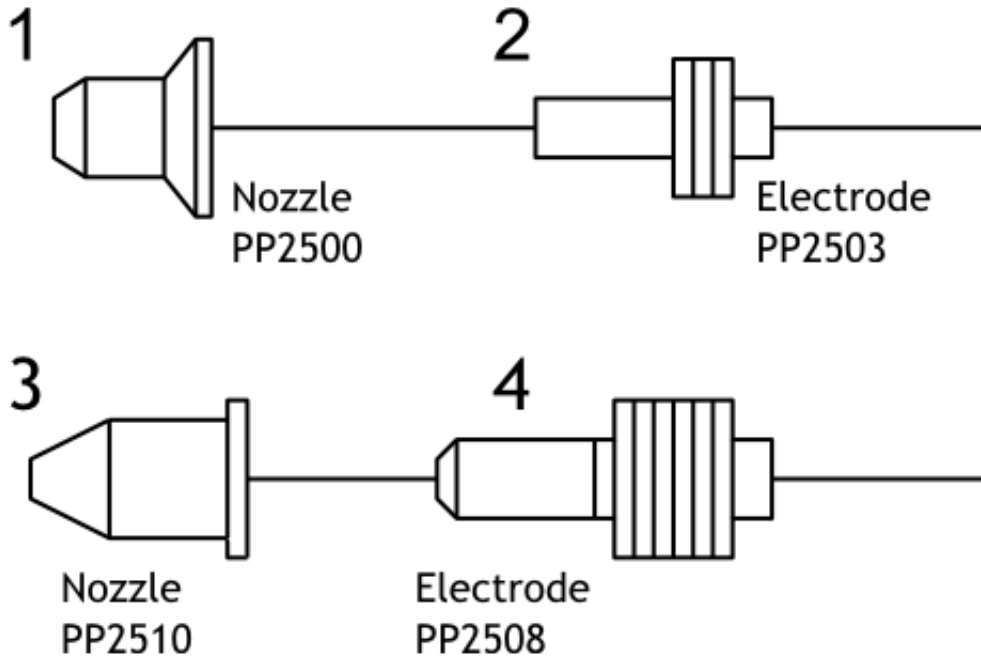




**PlasmaPart Limited**  
 Unit 7, Waldron Court  
 Prince William Road  
 Loughborough  
 LE11 5GD  
 0844 822 80 40

enquiries@plasmapart.com

# Hypertherm® Max 380 compatible



A Guide to our Pack Codes

Nozzles — 12, 12, 12, 2 — Shrouds  
 |  
 Electrodes Swirl Rings

Pos.	Part no.	Description
4	PP2508	<b>Extended Electrode 120574</b>
4	PP2509	Pack of 5 <b>Extended Electrodes 120574</b>
3	PP2510	<b>Extended Pipe Nozzle 120606</b>
3	PP2518	Pack of 5 <b>Extended Pipe Nozzles 120606</b>
2	PP2503	<b>Extended Electrode 020382</b>
2	PP2504	Pack of 10 <b>Extended Electrodes 020382</b>
1	PP2500	<b>Extended Nozzle 120504</b>
1	PP2501	Pack of 10 <b>Extended Nozzles 120504</b>
3, 4	PP2511	Pack of 5, 5 <b>120574 &amp; 120606</b>

Continued overleaf

PlasmaPart Limited is in no way affiliated with the above-named manufacturer(s).  
 References to the above-named manufacturer(s), torches, consumables and reference numbers are for convenience only.  
 All trademarks remain the property of their respective owners.

PlasmaPart.com is a trading style of Plasmapart Ltd. Please make cheques payable to PlasmaPart Ltd.  
 Registered in England and Wales no. 07679067 VAT Registered Number: 116709418  
 Office: Unit 7, Waldron Court, Prince William Road, Loughborough, LE11 5GD Tel: 0844 822 80 40



**PlasmaPart Limited**  
Unit 7, Waldron Court  
Prince William Road  
Loughborough  
LE11 5GD  
0844 822 80 40

enquiries@plasmapart.com

## Hypertherm® compatible

Pos.	Part no.	Description
Not shown	PP2567	Pack of 5 Electrodes T <b>120573</b> H PR0133P 40-55A
Not shown	PP2580	Pack of 5 Electrodes T <b>120926</b> H PR0234P 40-60-80A
Not shown	PP2581	Pack of 5 Electrodes T <b>220037</b> H PR0233P 100A
Not shown	PP2566	Pack of 5 Nozzles T <b>120577</b> H PD0145P10 55A
Not shown	PP2563	Pack of 5 Nozzles T <b>120826</b> H PD0133P10 40A
Not shown	PP2577	Pack of 5 Nozzles T <b>120931</b> H PD0234P12 60A
Not shown	PP2576	Pack of 5 Nozzles T <b>120932</b> H PD0234P10 40A
Not shown	PP2579	Pack of 5 Nozzles T <b>220011</b> H PD0233P16 100A
Not shown	PP2565	Pack of 5 Nozzles T <b>120282</b> H PD0083P11 50A
Not shown	PP2564	Pack of 5 Nozzles T <b>120438</b> H PD0083P10 40A
Not shown	PP2578	Pack of 5 Nozzles T <b>120927</b> H PD0234P14 80A
Not shown	PP2562	Retaining Cap T <b>120600</b> H PC0087P 55A
Not shown	PP2574	Retaining Cap T <b>120928</b> H PC0234P 40-60-80A
Not shown	PP2575	Retaining Cap T <b>220048</b> H PC0233P 100A
Not shown	PP2559	Shield (Hand) T <b>120601</b> H CV0106P 40-55A
Not shown	PP2561	Shield (Machine) T <b>120602</b> H CV0183P 40-55A
Not shown	PP2560	Shield T <b>120827</b> H CV0107P 40A
Not shown	PP2558	Shield T <b>120828</b> H CV0108P 40A
Not shown	PP2570	Shield T <b>120929</b> H CV0176P 40-60-80A

Continued overleaf

PlasmaPart Limited is in no way affiliated with the above-named manufacturer(s).  
References to the above-named manufacturer(s), torches, consumables and reference numbers are for convenience only.  
All trademarks remain the property of their respective owners.

PlasmaPart.com is a trading style of Plasmapart Ltd. Please make cheques payable to PlasmaPart Ltd.  
Registered in England and Wales no. 07679067 VAT Registered Number: 116709418  
Office: Unit 7, Waldron Court, Prince William Road, Loughborough, LE11 5GD Tel: 0844 822 80 40



**PlasmaPart Limited**  
Unit 7, Waldron Court  
Prince William Road  
Loughborough  
LE11 5GD  
0844 822 80 40

[enquiries@plasmapart.com](mailto:enquiries@plasmapart.com)

## Hypertherm® compatible

---

Pos.	Part no.	Description
Not shown	PP2572	Shield T <b>120930</b> H CV0177P 40-60-80A
Not shown	PP2573	Shield T <b>220047</b> H CV0179P 100A
Not shown	PP2571	Shield T <b>220065</b> H CV0178P 100A
Not shown	PP2568	Swirl Ring T <b>120576</b> H PE0299P 40-55A
Not shown	PP2582	Swirl Ring T <b>120925</b> H PE0234P 40-60-80A
Not shown	PP2583	Swirl Ring T <b>220051</b> H PE0233P 100A
Not shown	PP2569	Swirl Ring T <b>020361</b> H PE0300P 40-55A

---

PlasmaPart Limited is in no way affiliated with the above-named manufacturer(s).  
References to the above-named manufacturer(s), torches, consumables and reference numbers are for convenience only.  
All trademarks remain the property of their respective owners.

PlasmaPart.com is a trading style of Plasmapart Ltd. Please make cheques payable to PlasmaPart Ltd.  
Registered in England and Wales no. 07679067 VAT Registered Number: 116709418  
Office: Unit 7, Waldron Court, Prince William Road, Loughborough, LE11 5GD Tel: 0844 822 80 40